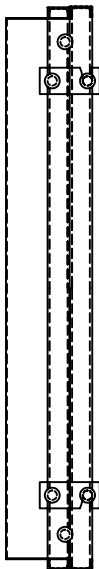
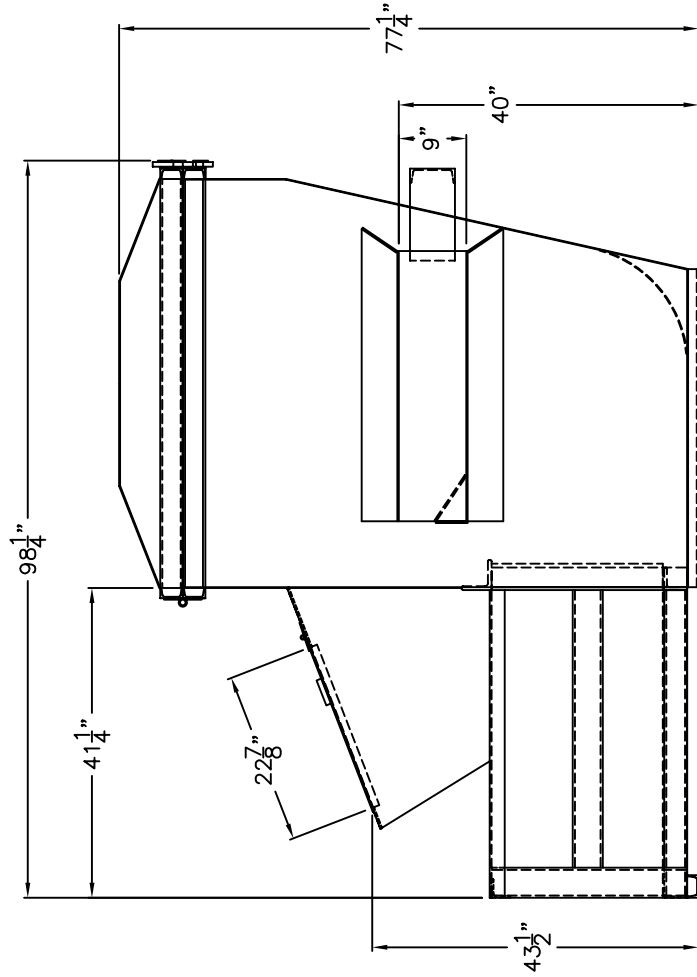
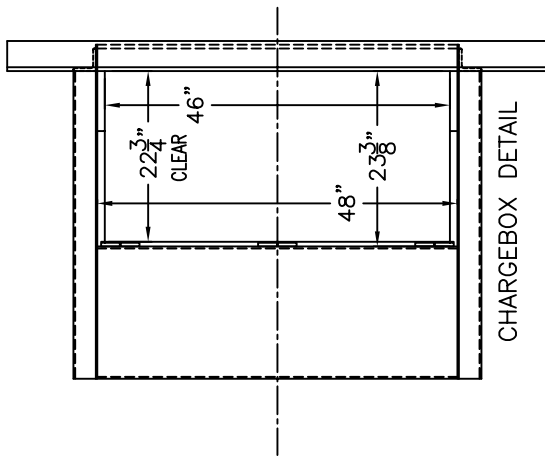


PTR BALER & COMPACTOR



NOTE: ALL DIMENSIONS FOR REFERENCE ONLY
ACTUAL MEASUREMENTS MAY VARY

